

# Pressure valves

shut-off valve with female connection

brass or stainless steel

E 09.01.03

Ed.18.01

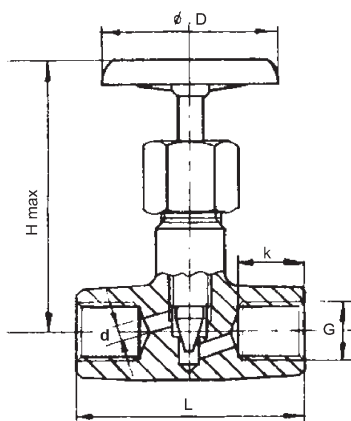
## Shut-off valve

Inlet with fixed female tread with spigot

Outlet with fixed female thread for pressure gauge

Sealing washer of graphite and wheel of pressed steel

Valve body and connection of brass SIS 5170 or stainless steel SS 2348



Type	Material	PN	DN	G	d	L	k	D	H	Code
400 M	brass	100	8	G1/4"	5	60	14	65	85	40000001
400 S	SS 2348	400	8	G1/4"	5	60	14	65	85	40000201
400 S	SS 2348	400	10	G3/8"	5	60	15	65	85	40000202
400 S	SS 2348	400	15	G1/2"	5	60	16	65	85	40000203
400 S	SS 2348	400	-	1/2"NPT	5	60	16	65	85	40000204
400 SK *	SS 2348	400	15	G1/2"	5	60	16	65	85	40050203

\* 400 SK with test connection

## Pressure rate and temperature

Brass - pressure rate PN 100		
Pressure	16 bar	100 bar
Temp	110°C	20°C

Stainless steel SS2348 - pressure rate PN 400				
Pressure	20 bar	125 bar	160 bar	400 bar
Temp	300°C	200°C	125°C	20°C